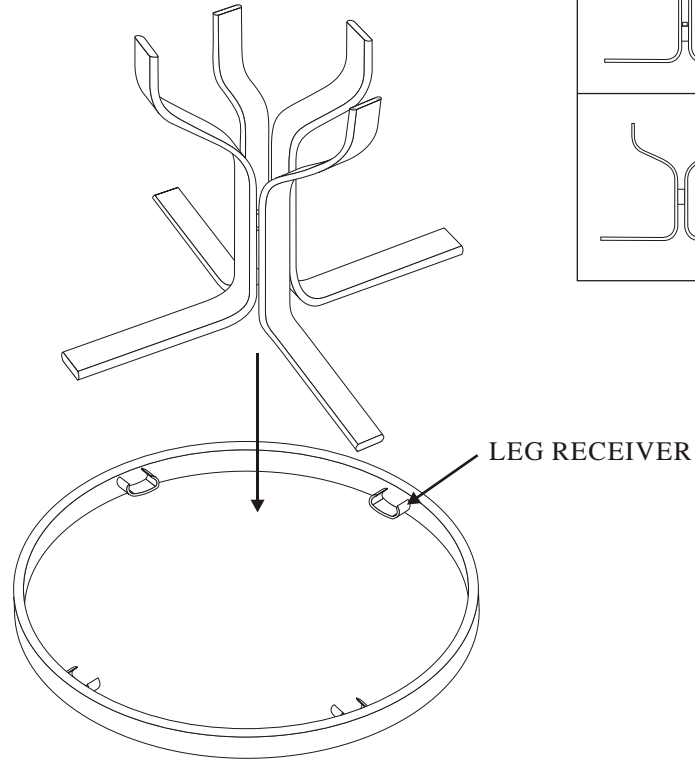
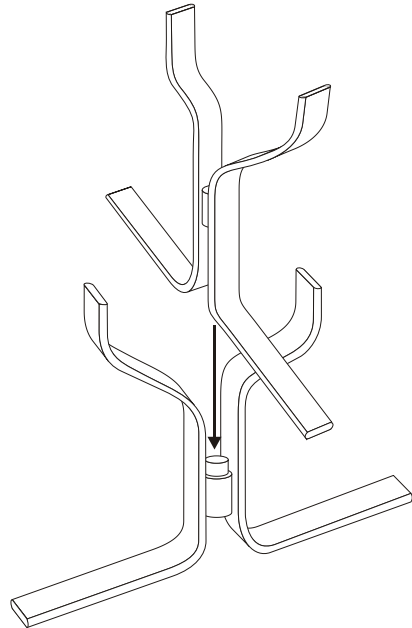


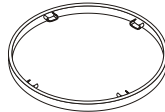
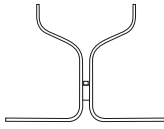
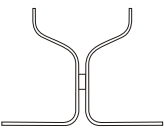
IMPORTANT!! PLEASE READ ENTIRE INSTRUCTION SHEET BEFORE ASSEMBLY!!

Step 1: Identify all parts packed in the carton against the parts list. Remove all protective materials. If you are missing any parts or are unsure as how to proceed with the assembly, please call our Customer Service Center immediately at 1-(800) 416-3511. **Do not attempt to assemble table if any parts are missing or damaged.**

Step 3: Insert the four legs into the leg receivers by snapping firmly into place. Ensure all the legs are secured in the leg receiver. Turn the table in upright position the assembly is completed and the table is ready for use. If you have any questions, please call our Customer Service Center at 1-800-416-3511.

Step 2: Identify the upper leg and lower leg. Insert the upper leg into lower leg.



PARTS LIST	DESCRIPTION	QTY./PCS
	TABLE RIM WITH GLASS	1
	UPPER LEG	1
	LOWER LEG	1

35-20-14